

NEW DOBLÒ CARGO.



TECHNICAL SPECIFICATIONS AND MAIN EQUIPMENT



DOBLÒ CARGO

Technical specifications

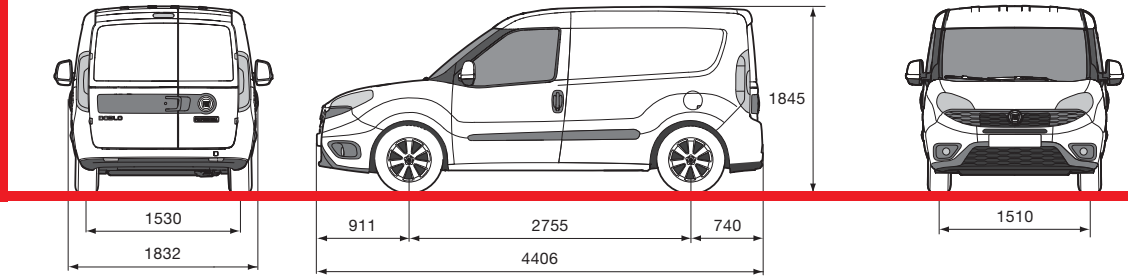
| | 95 MPI | 120 T-JET | 120 T-JET NATURAL POWER | | |
|---|---|--|--|--------------------------|---------------------------|
| Engine | | | | | |
| No. of cylinders, layout | 4 in line, transverse front | 4 in line, transverse front | 4 in line, transverse front | | |
| Displacement (cm ³) | 1368 | 1368 | 1368 | | |
| Emissions level | Euro 6 / Euro 6 with StartStop | Euro 6 | Euro 6 | | |
| Compression ratio | 11:01 | 9.8:1 | 9.8:1 | | |
| EC max. power: kW (HP) at rpm | 70 (95) 6000 | 88 (120) 5000 | 88 (120) 5000 | | |
| EC max. torque: Nm at rpm | 127 (12.9) 4500 | 206 (21.0) 2000 | 206 (21.0) 2000 | | |
| Timing system (control) | 2 OHC (toothed belt) with hydraulic tappets 4 valves per cylinder | | | | |
| Fuel | petrol (EN228) | petrol (EN228) | petrol (EN228) / methane | | |
| Supply | timed sequential, returnless system | Multipoint electronic injection (MPI), sequential, phased, turbo and intercooler, returnless system | electronic timed sequential Multipoint injection (MPI), specific injection for methane, turbo and intercooler, returnless system | | |
| Ignition | electronic, static, integrated with the injection | electronic, static, integrated with the injection | electronic, static, integrated with the injection | | |
| Transmission | | | | | |
| Drive | front | front | front | | |
| Clutch | dry, single plate with cup engagement spring and hydraulic operation | dry, single plate with cup engagement spring and hydraulic operation | dry, single plate with cup engagement spring and hydraulic operation | | |
| Gearbox: number of gears | 5 + R | 6 + R | 6 + R | | |
| Steering | | | | | |
| Type | rack and pinion with hydraulic power steering | rack and pinion with hydraulic power steering | rack and pinion with hydraulic power steering | | |
| Turning circle (kerb to kerb) | 11.2/12.5 (Maxi) | 11.2/12.5 (Maxi and XL) | 11.2/12.5 (Maxi) | | |
| Braking system - D (self-ventilated disc) - T (drum) | | | | | |
| Type | hydraulic system with 2 crossover independent circuits | | | | |
| Front: ø (mm) | D 305 | D 305 | D 305 | | |
| Rear: ø mm | T 254 | T 254 | T 254 | | |
| Brake servo: ø | 10" | 10" | 10" | | |
| Suspension | | | | | |
| Front | independent, MacPherson type with wishbones secured to an auxiliary crossmember, telescopic hydraulic shock absorbers, coil springs and anti-roll bar | | | | |
| Rear | Bi-link independent, coil springs, telescopic shock absorbers with dual calibration and anti-roll bar (according to version) | independent bi-link, with coil springs, telescopic shock absorbers with dual calibration and anti-roll bar | independent bi-link, with coil springs, telescopic shock absorbers with dual calibration and anti-roll bar | | |
| Wheels | | | | | |
| Tyres | 195/60 R 16 | 195/60 R 16 | 195/60 R 16 | | |
| Electrical system (12 V) | | | | | |
| Battery capacity (Ah) | 40/50/60/63/72 | 50/60 | 50/60 | | |
| Alternator current (A) | 70/90/105/120 | 105/120 | 50/60 | | |
| Refuelling | | | | | |
| Fuel tank capacity (litres) / (kg) | 60 | 60 | E6 - Petrol 22 E6 - Methane 95 l/16.15 kg * 130 l/22.1 kg ** | | |
| Performance and consumption - Cargo short wheelbase | | | | | |
| | E6 | E6 with S&S | E6 | E6 - Petrol [■] | E6 - Methane [■] |
| Top speed (km/h) | 161 | 161 | 172 | 172 | 172 |
| Combined consumption (l/100 km) | 7.3 | 7.0 | 7.2 | 7.4 | 4.9* |
| CO ₂ emissions (g/km) | 169 | 163 | 169 | 173 | 134 |

† (kg/100 km) * 4 cylinders ** 5 cylinders ■ values referring to Cargo short wheelbase with increased payload

| 75 / 90 MULTIJET II | | 90 MULTIJET II COMFORT MATIC | | 100 / 105 MULTIJET II | | | 135 MULTIJET II | |
|---|--|--|--|--|--|--|--|--|
| 4 in line, transverse front | | 4 in line, transverse front | | 4 in line, transverse front | | | 4 in line, transverse front | |
| 1248 | | 1598 | | 1598 | | | 1956 | |
| Euro 5+ with DPF / Euro 5+ with DPF and StartStop | | Euro 5+ with DPF and StartStop | | Euro 5+ with DPF / Euro 5+ with DPF and StartStop | | | Euro 5+ with DPF | |
| 16.8:1 | | 16.5:1 | | 16.5:1 | | | 16.5:1 | |
| 55/66 (75/90) 4000 | | 66 (90) 4000 | | 73/77 (100/105) 4000 | | | 99 (135) 3500 | |
| 200 (20.4) 1500 | | 200 (20.4) 1500 | | 290 (29.6) 1500 | | | 320 (32.6) 1500 | |
| 2 OHC (with chain) with hydraulic tappets 4 valves per cylinder | | 2 OHC (toothed belt) with hydraulic tappets 4 valves per cylinder | | | | | | |
| diesel fuel for motor vehicles (EN 590) | | diesel fuel for motor vehicles (EN 590) | | diesel fuel for motor vehicles (EN 590) | | | diesel fuel for motor vehicles (EN 590) | |
| MultiJet II "Common Rail" direct injection with electronic control, turbo and intercooler | | MultiJet II "Common Rail" direct injection with electronic control, turbo and intercooler | | MultiJet II Common Rail direct injection with electronic control, turbo and intercooler | | | MultiJet II Common Rail direct injection with electronic control, turbo and intercooler | |
| by compression | | by compression | | by compression | | | by compression | |
| front | | front | | front | | | front | |
| dry, single plate with cup engagement spring and hydraulic operation | | dry, single plate with electro-hydraulic activation | | dry, single plate with cup engagement spring and hydraulic operation | | | dry, single plate with cup engagement spring and hydraulic operation | |
| 5 + R | | 5 + R with electronically managed electro-hydraulic control system | | 6 + R | | | 6 + R | |
| rack and pinion with hydraulic power steering | | rack and pinion with hydraulic power steering | | rack and pinion with hydraulic power steering | | | rack and pinion with hydraulic power steering | |
| 11.2/12.5 (Maxi) | | 11.7 / 13 (Maxi and XL) | | 11.2/12.5 (Maxi and XL) | | | 11.2/12.5 (Maxi and XL) | |
| hydraulic system with 2 crossover independent circuits | | | | | | | | |
| D 284 - D 305 (Maxi and increased payload) | | D 284 - D 305 (Maxi and increased payload) | | D 284 - D 305 (Maxi and increased payload) | | | D 305 | |
| T 228 - T 254 (Maxi, increased payload and Combi) | | T 228 - T 254 (Maxi, increased payload and Combi) | | T 228 - T 254 (Maxi, increased payload and Combi) | | | T 254 | |
| 10" | | 10" | | 10" | | | 10" | |
| independent, MacPherson type with wishbones secured to an auxiliary crossmember, telescopic hydraulic shock absorbers, coil springs and anti-roll bar | | | | | | | | |
| Bi-link independent, coil springs, telescopic shock absorbers with dual calibration and anti-roll bar (according to version) | | Bi-link independent, coil springs, telescopic shock absorbers with dual calibration and anti-roll bar (according to version) | | Bi-link independent, coil springs, telescopic shock absorbers with dual calibration and anti-roll bar (according to version) | | | Bi-link independent, coil springs, telescopic shock absorbers with dual calibration and anti-roll bar (according to version) | |
| 185/65 R 15 - 195/65 R 15 (Combi) 195/60 R 16 (Maxi and increased capacity) | | 185/65 R 15 - 195/65 R 15 (Combi) 195/60 R 16 (Maxi and increased capacity) | | 185/65 R 15 - 195/65 R 15 (Combi) 195/60 R 16 (Maxi and increased capacity) | | | 195/60 R 16 | |
| 50/60/63/70/72 | | 72 | | 60/70/72 | | | 60/70/72 | |
| 70/90/120 | | 100/120/150 | | 100/120/150 | | | 100/120/150 | |
| 60 | | 60 | | 60 | | | 60 | |
| E5+ with DPF | | E5+ with DPF and S&S | | E5+ ECOJET 90 HP with DPF, S&S and ECOPack | | | E5+ with DPF | |
| 145 with 75 HP 158 with 90 HP | | 145 with 75 HP 158 with 90 HP | | 158 | | | 158 | |
| 5.0 | | 4.8 | | 4.4 | | | 4.9 | |
| 133 | | 126 | | 115 | | | 130 | |
| E5+ with DPF | | E5+ with DPF and S&S | | E5+ with DPF and S&S | | | E5+ ECOJET 90 HP with DPF, S&S and ECOPack | |
| 145 with 75 HP 158 with 90 HP | | 145 with 75 HP 158 with 90 HP | | 158 | | | 158 | |
| 5.0 | | 4.8 | | 4.4 | | | 4.9 | |
| 133 | | 126 | | 115 | | | 130 | |
| E5+ with DPF | | E5+ with DPF and S&S | | E5+ with DPF and S&S | | | E5+ ECOJET 90 HP with DPF, S&S and ECOPack | |
| 145 with 75 HP 158 with 90 HP | | 145 with 75 HP 158 with 90 HP | | 158 | | | 158 | |
| 5.0 | | 4.8 | | 4.4 | | | 4.9 | |
| 133 | | 126 | | 115 | | | 130 | |
| E5+ with DPF | | E5+ with DPF and S&S | | E5+ with DPF and S&S | | | E5+ ECOJET 90 HP with DPF, S&S and ECOPack | |
| 145 with 75 HP 158 with 90 HP | | 145 with 75 HP 158 with 90 HP | | 158 | | | 158 | |
| 5.0 | | 4.8 | | 4.4 | | | 4.9 | |
| 133 | | 126 | | 115 | | | 130 | |
| E5+ with DPF | | E5+ with DPF and S&S | | E5+ with DPF and S&S | | | E5+ ECOJET 90 HP with DPF, S&S and ECOPack | |
| 145 with 75 HP 158 with 90 HP | | 145 with 75 HP 158 with 90 HP | | 158 | | | 158 | |
| 5.0 | | 4.8 | | 4.4 | | | 4.9 | |
| 133 | | 126 | | 115 | | | 130 | |
| E5+ with DPF | | E5+ with DPF and S&S | | E5+ with DPF and S&S | | | E5+ ECOJET 90 HP with DPF, S&S and ECOPack | |
| 145 with 75 HP 158 with 90 HP | | 145 with 75 HP 158 with 90 HP | | 158 | | | 158 | |
| 5.0 | | 4.8 | | 4.4 | | | 4.9 | |
| 133 | | 126 | | 115 | | | 130 | |

DOBLÒ CARGO

Standard short wheelbase



External dimensions (mm)

| | |
|--------------------------|------|
| Wheelbase | 2755 |
| Length | 4406 |
| Width | 1832 |
| Front track | 1510 |
| Rear track | 1530 |
| Maximum height (unladen) | 1845 |
| Front projection | 911 |
| Rear projection | 740 |

Rear door (mm)

| | |
|--------|------|
| Width | 1231 |
| Height | 1250 |

Sliding side door (mm)

| | |
|--------|------|
| Width | 700 |
| Height | 1175 |

Load compartment (mm)

| | |
|---------------------------------|------|
| Length | 1820 |
| Width | 1714 |
| Width between wheel arches | 1230 |
| Height | 1305 |
| Load threshold height (unladen) | 545 |

Load compartment capacity (m³)

| | |
|--------|------------|
| Volume | 3.4 - 3.8* |
|--------|------------|

Weights

| | Standard van | | | | | Increased payload van | | | | | | |
|-------------------------------|--------------|---------------------|------------------------------|-----------------------|-----------------|-----------------------|-----------|---------------------|------------------------------|-----------------------|-----------------|-------------------------|
| | 95 MPI | 75 - 90 MultiJet II | 90 MultiJet II Comfort-Matic | 100 - 105 MultiJet II | 135 MultiJet II | 95 MPI | 120 T-Jet | 75 - 90 MultiJet II | 90 MultiJet II Comfort-Matic | 100 - 105 MultiJet II | 135 MultiJet II | 120 T-Jet Natural Power |
| Vehicle weight ▲ (tare) (kg) | 1280 | 1320 | 1350 | 1350 | 1403 | 1310 | 1365 | 1350 | 1420 | 1420 | 1430 | 1463 |
| Payload including driver (kg) | 750 | 750 | 750 | 750 | 750 | 900 | 1005 | 1005 | 1005 | 1005 | 1005 | 980 |
| GVW (kg) | 2030 | 2070 | 2100 | 2100 | 2153 | 2210 | 2370 | 2355 | 2425 | 2425 | 2435 | 2443 |
| Max. towable weight (kg) | 1000 | 1000 | 1300 | 1300 | 1500 | 1000 | 1000 | 1000 | 1300 | 1300 | 1500 | 1000 |

Fuel consumption - Emissions

| Engine versions | Standard van | | | | | | | | | | | |
|------------------------------------|--------------|--------|---------------------|-------------|----------------------------------|-------------|------------------------------|---------|-----------------------|----------------------------|-----------------|--------|
| | 95 MPI | | 75 - 90 MultiJet II | | | | 90 MultiJet II Comfort-Matic | | 100 - 105 MultiJet II | | 135 MultiJet II | |
| | E6 | E6 S&S | E5+ DPF | E5+ DPF S&S | E5+ 90 HP ECOJet DPF S&S Ecopack | E5+ DPF S&S | E5+ DPF | E5+ DPF | E5+ DPF S&S | E5+ ECOJet DPF S&S Ecopack | E5+ DPF | |
| Fuel | petrol | petrol | diesel | diesel | diesel | diesel | diesel | diesel | diesel | diesel | diesel | diesel |
| Urban consumption (l/100 km) | 9.9 | 9.2 | 6.5 | 5.9 | 5.2 | 5.5 | 6.7 | 6.1 | 5.4 | 7.2 | 5.4 | 7.2 |
| Extra-urban consumption (l/100 km) | 5.8 | 5.7 | 4.2 | 4.2 | 3.9 | 4.6 | 4.7 | 4.6 | 4.3 | 5.1 | 4.3 | 5.1 |
| Combined consumption (l/100 km) | 7.3 | 7.0 | 5.0 | 4.8 | 4.4 | 4.9 | 5.4 | 5.2 | 4.7 | 5.9 | 4.7 | 5.9 |
| CO ₂ emissions (g/km) | 169 | 163 | 133 | 126 | 115 | 130 | 143 | 136 | 124 | 154 | 133 | 154 |

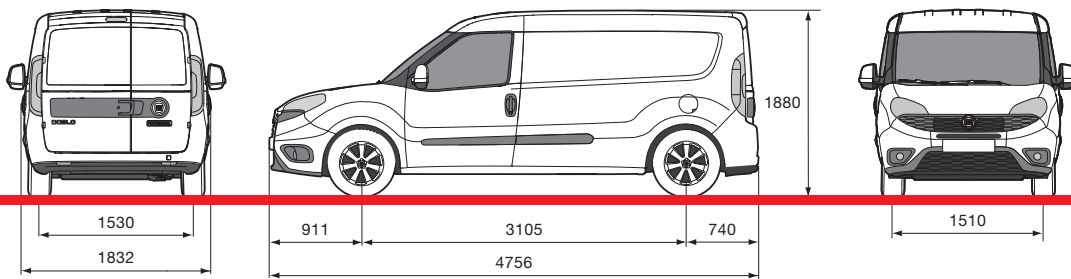
Fuel consumption - Emissions

| Engine versions | Increased payload van | | | | | | | | | | | | |
|------------------------------------|-----------------------|--------|-----------|-------------------|-------------|----------------------------------|------------------------------|---------|-----------------------|----------------------------|-----------------|-------------------------|---------|
| | 95 MPI | | 120 T-Jet | 75-90 MultiJet II | | | 90 MultiJet II Comfort-Matic | | 100 - 105 MultiJet II | | 135 MultiJet II | 120 T-Jet Natural Power | |
| | E6 | E6 S&S | E6 | E5+ DPF | E5+ DPF S&S | E5+ 90 HP ECOJet DPF S&S Ecopack | E5+ DPF S&S | E5+ DPF | E5+ DPF S&S | E5+ ECOJet DPF S&S Ecopack | E5+ DPF | petrol | methane |
| Fuel | petrol | petrol | petrol | diesel | diesel | diesel | diesel | diesel | diesel | diesel | diesel | petrol | methane |
| Urban consumption (l/100 km) | 10.4 | 9.7 | 9.5 | 6.5 | 5.9 | 5.2 | 5.6 | 6.8 | 6.2 | 5.5 | 7.2 | 9.7 | 6.5* |
| Extra-urban consumption (l/100 km) | 5.8 | 5.9 | 5.9 | 4.2 | 4.2 | 3.9 | 4.7 | 4.7 | 4.6 | 4.3 | 5.1 | 6.1 | 4.0* |
| Combined consumption (l/100 km) | 7.5 | 7.3 | 7.2 | 5 | 4.8 | 4.4 | 5.0 | 5.5 | 5.2 | 4.5 | 5.9 | 7.4 | 4.9* |
| CO ₂ emissions (g/km) | 174 | 168 | 169 | 133 | 126 | 115 | 133 | 144 | 137 | 125 | 154 | 173 | 134 |

* With passenger seat folded down and swivel partition

▲ Referred to basic versions without optional equipment

▼ (kg/100 km)



DOBLÒ CARGO

Maxi

External dimensions (mm)

| | |
|--------------------------|------|
| Wheelbase | 3105 |
| Length | 4756 |
| Width | 1832 |
| Front track | 1510 |
| Rear track | 1530 |
| Maximum height (unladen) | 1880 |
| Front projection | 911 |
| Rear projection | 740 |

Rear door (mm)

| | |
|--------|------|
| Width | 1231 |
| Height | 1250 |

Sliding side door (mm)

| | |
|--------|------|
| Width | 700 |
| Height | 1175 |

Load compartment (mm)

| | |
|------------------------------------|------|
| Length | 2170 |
| Width | 1714 |
| Width between wheel arches | 1230 |
| Height | 1305 |
| Altezza soglia di carico (a vuoto) | 545 |

Load compartment capacity (m³)

| | |
|--------|------------|
| Volume | 4.2 - 4.6* |
|--------|------------|

Weights

| Engine versions | Van | | | | | | | Van payload 750 kg | | |
|-------------------------------|--------|-----------|---------------------|------------------------------|-----------------------|-----------------|-------------------------|---------------------|-----------------------|--|
| | 95 MPI | 120 T-Jet | 75 - 90 MultiJet II | 90 MultiJet II Comfort-Matic | 100 - 105 MultiJet II | 135 MultiJet II | 120 T-Jet Natural Power | 75 - 90 MultiJet II | 100 - 105 MultiJet II | |
| Vehicle weight* (tare) (kg) | 1315 | 1405 | 1415 | 1460 | 1460 | 1460 | 1520/1570 [■] | 1406 | 1420 | |
| Payload including driver (kg) | 900 | 1005 | 1005 | 1005 | 1005 | 1005 | 980/910 [■] | 750 | 750 | |
| GVW (kg) | 2215 | 2410 | 2420 | 2465 | 2465 | 2465 | 2500/2480 [■] | 2156 | 2170 | |
| Max. towable weight (kg) | 1000 | 1000 | 1000 | 1300 | 1300 | 1500 | 1000 | 1000 | 1300 | |

Fuel consumption - Emissions

| Engine versions | 95 MPI | | 120 T-Jet | | 75-90 MultiJet II | | | 90 MultiJet II Comfort-Matic | | 100 - 105 MultiJet II | | | 135 MultiJet II | 120 T-Jet Natural Power | |
|------------------------------------|--------|--------|-----------|---------|-------------------|----------------------------------|-------------|------------------------------|-------------|-----------------------|----------------------------|---------|------------------|-------------------------|--|
| | E6 | E6 S&S | E6 | E5+ DPF | E5+ DPF S&S | E5+ 90 HP ECOJet DPF S&S Ecopack | E5+ DPF S&S | E5+ DPF | E5+ DPF S&S | E5+ DPF S&S | E5+ ECOJet DPF S&S Ecopack | E5+ DPF | E6 | | |
| Fuel | petrol | petrol | petrol | diesel | diesel | diesel | diesel | diesel | diesel | diesel | diesel | diesel | petrol | methane | |
| Urban consumption (l/100 km) | 10.4 | 9.7 | 9.5 | 6.5 | 6.0 | 5.3 | 5.6 | 6.8 | 6.2 | 5.5 | 7.2 | 9.7 | 6.5 [▼] | | |
| Extra-urban consumption (l/100 km) | 5.8 | 5.9 | 5.9 | 4.2 | 4.3 | 4.0 | 4.7 | 4.7 | 4.6 | 4.3 | 5.1 | 6.1 | 4.0 [▼] | | |
| Combined consumption (l/100 km) | 7.5 | 7.3 | 7.2 | 5.0 | 4.9 | 4.5 | 5.0 | 5.5 | 5.2 | 4.7 | 5.9 | 7.4 | 4.9 [▼] | | |
| CO ₂ emissions (g/km) | 174 | 168 | 169 | 133 | 129 | 118 | 133 | 144 | 137 | 125 | 154 | 173 | 134 | | |

* With passenger seat folded down and swivel partition

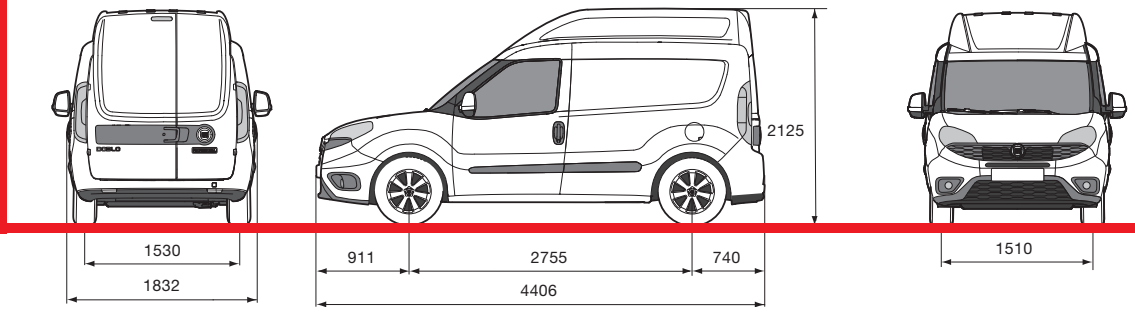
▲ Referred to basic versions without optional equipment

■ With opt 422 (additional methane cylinder)

▼ (kg/100 km)

DOBLÒ CARGO

High roof short wheelbase



External dimensions (mm)

| | |
|--------------------------|------|
| Wheelbase | 2755 |
| Length | 4406 |
| Width | 1832 |
| Front track | 1510 |
| Rear track | 1530 |
| Maximum height (unladen) | 2125 |
| Front projection | 911 |
| Rear projection | 740 |

Rear door (mm)

| | |
|--------|------|
| Width | 1231 |
| Height | 1455 |

Sliding side door (mm)

| | |
|--------|------|
| Width | 700 |
| Height | 1175 |

Load compartment (mm)

| | |
|---------------------------------|------|
| Length | 1820 |
| Width | 1714 |
| Width between wheel arches | 1230 |
| Height | 1550 |
| Load threshold height (unladen) | 545 |

Load compartment capacity (m³)

| | |
|--------|------------|
| Volume | 4.0 - 4.4* |
|--------|------------|

Weights

Standard van

Increased payload van

| Engine versions | 95 MPI | 90 MultiJet II Comfort-Matic | 100 - 105 MultiJet II | 135 MultiJet II | 95 MPI | 120 T-Jet | 90 MultiJet II Comfort-Matic | 100 - 105 MultiJet II | 135 MultiJet II | 120 T-Jet Natural Power |
|---|--------|------------------------------|-----------------------|-----------------|--------|-----------|------------------------------|-----------------------|-----------------|-------------------------|
| Vehicle weight [▲] (tare) (kg) | 1290 | 1393 | 1393 | 1420 | 1315 | 1405 | 1430 | 1430 | 1460 | 1494 |
| Payload including driver (kg) | 750 | 750 | 750 | 750 | 900 | 1005 | 1005 | 1005 | 1005 | 950 |
| GVW (kg) | 2040 | 2143 | 2143 | 2170 | 2215 | 2410 | 2435 | 2435 | 2465 | 2444 |
| Max. towable weight (kg) | 1000 | 1300 | 1300 | 1500 | 1000 | 1000 | 1300 | 1300 | 1500 | 1000 |

Fuel consumption - Emissions

Standard van

| Engine versions | 95 MPI | | 90 MultiJet II Comfort-Matic | | 100 - 105 MultiJet II | | 135 MultiJet II | |
|------------------------------------|--------|--------|------------------------------|-------------|-----------------------|----------------------------|-----------------|-------------|
| | E6 | E6 S&S | E5+ DPF S&S | E5+ DPF S&S | E5+ DPF S&S | E5+ ECOJet DPF S&S Ecopack | E5+ DPF S&S | E5+ DPF S&S |
| Fuel | petrol | petrol | diesel | diesel | diesel | diesel | diesel | diesel |
| Urban consumption (l/100 km) | 10.2 | 9.4 | 5.6 | 7.1 | 6.3 | 5.8 | 5.8 | 7.3 |
| Extra-urban consumption (l/100 km) | 5.9 | 5.9 | 5.2 | 5.1 | 5.1 | 4.7 | 5.2 | 5.2 |
| Combined consumption (l/100 km) | 7.5 | 7.2 | 5.3 | 5.8 | 5.5 | 5.1 | 5.1 | 6 |
| CO ₂ emissions (g/km) | 173 | 167 | 140 | 154 | 146 | 134 | 134 | 158 |

Fuel consumption - Emissions

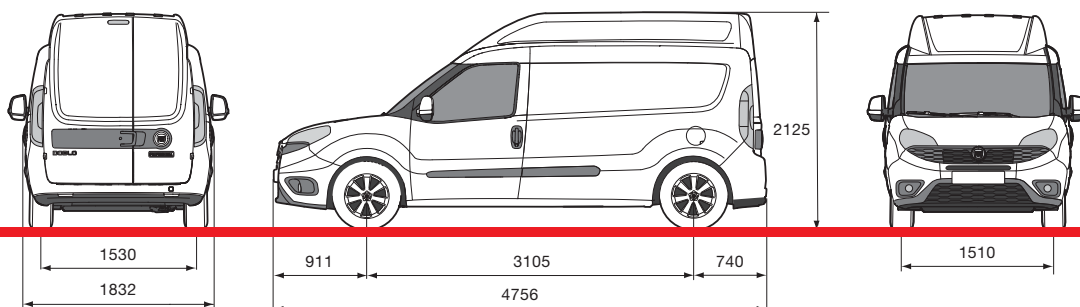
Increased payload van

| Engine versions | 95 MPI | | 120 T-Jet | 90 MultiJet II Comfort-Matic | 100 - 105 MultiJet II | | | 135 MultiJet II | 120 T-Jet Natural Power | |
|------------------------------------|--------|--------|-----------|------------------------------|-----------------------|-------------|----------------------------|-----------------|-------------------------|---------|
| | E6 | E6 S&S | E6 | E5+ DPF S&S | E5+ DPF S&S | E5+ DPF S&S | E5+ ECOJet DPF S&S Ecopack | E5+ DPF S&S | petrol | methane |
| Fuel | petrol | petrol | petrol | diesel | diesel | diesel | diesel | diesel | petrol | methane |
| Urban consumption (l/100 km) | 10.2 | 9.4 | 9.5 | 5.6 | 7.1 | 6.3 | 5.8 | 7.3 | 9.7 | 6.5* |
| Extra-urban consumption (l/100 km) | 5.9 | 5.9 | 6.4 | 5.2 | 5.1 | 5.1 | 4.7 | 5.2 | 6.5 | 4.2* |
| Combined consumption (l/100 km) | 7.5 | 7.2 | 7.5 | 5.3 | 5.8 | 5.5 | 5.1 | 6.0 | 7.7 | 5.0* |
| CO ₂ emissions (g/km) | 173 | 167 | 175 | 140 | 154 | 146 | 134 | 158 | 179 | 138 |

* With passenger seat folded down and swivel partition

▲ Referred to basic versions without optional equipment

▼ (kg/100 km)



DOBLÒ CARGO

XL

External dimensions (mm)

| | |
|--------------------------|------|
| Wheelbase | 3105 |
| Length | 4756 |
| Width | 1832 |
| Front track | 1510 |
| Rear track | 1530 |
| Maximum height (unladen) | 2125 |
| Front projection | 911 |
| Rear projection | 740 |

Rear door (mm)

| | |
|--------|------|
| Width | 1231 |
| Height | 1455 |

Sliding side door (mm)

| | |
|--------|------|
| Width | 700 |
| Height | 1175 |

Load compartment (mm)

| | |
|---------------------------------|------|
| Length | 2170 |
| Width | 1714 |
| Width between wheel arches | 1230 |
| Height | 1550 |
| Load threshold height (unladen) | 545 |

Load compartment capacity (m³)

| | |
|--------|------------|
| Volume | 5.0 - 5.4* |
|--------|------------|

Weights

| Engine versions | 120 T-Jet | 90 MultiJet II Comfort-Matic | 100 - 105 MultiJet II | 135 MultiJet II |
|-------------------------------|-----------|------------------------------|-----------------------|-----------------|
| Vehicle weight ▲ (tare) (kg) | 1475 | 1490 | 1490 | 1500 |
| Payload including driver (kg) | 1005 | 1005 | 1005 | 1005 |
| GVW (kg) | 2480 | 2495 | 2495 | 2505 |
| Max. towable weight (kg) | 1000 | 1300 | 1300 | 1500 |

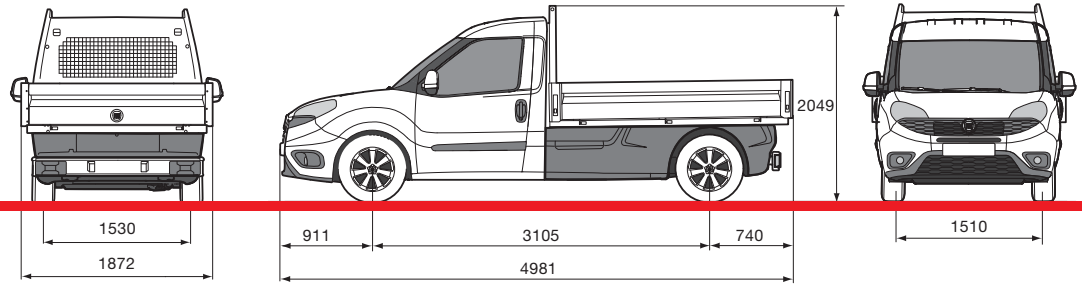
Fuel consumption - Emissions

| Engine versions | 120 T-Jet | 90 MultiJet II Comfort-Matic | 100 - 105 MultiJet II | 135 MultiJet II |
|------------------------------------|-----------|------------------------------|-----------------------|----------------------------|
| | E6 | E5+ DPF S&S | E5+ DPF S&S | E5+ ECOJet DPF S&S ECOpack |
| Fuel | petrol | diesel | diesel | diesel |
| Urban consumption (l/100 km) | 9,7 | 5,7 | 7,1 | 6,4 |
| Extra-urban consumption (l/100 km) | 6,5 | 5,4 | 5,4 | 5,3 |
| Combined consumption (l/100 km) | 7,7 | 5,5 | 6,0 | 5,7 |
| CO ₂ emissions (g/km) | 179 | 145 | 158 | 137 |

* With passenger seat folded down and swivel partition
 ▲ Referred to basic versions without optional equipment

DOBLÒ CARGO

Work up



External dimensions (mm)

| | |
|--------------------------|------|
| Wheelbase | 3105 |
| Length | 4981 |
| Width | 1872 |
| Front track | 1510 |
| Rear track | 1530 |
| Maximum height (unladen) | 2049 |
| Front projection | 911 |
| Rear projection | 803 |

Load compartment (mm)

| | |
|---------------------------------|------|
| Length | 2300 |
| Width | 1818 |
| Side height | 368 |
| Load threshold height (unladen) | 910 |

Surface area (m²)

| | |
|--------------|-----|
| Surface area | 4.2 |
|--------------|-----|

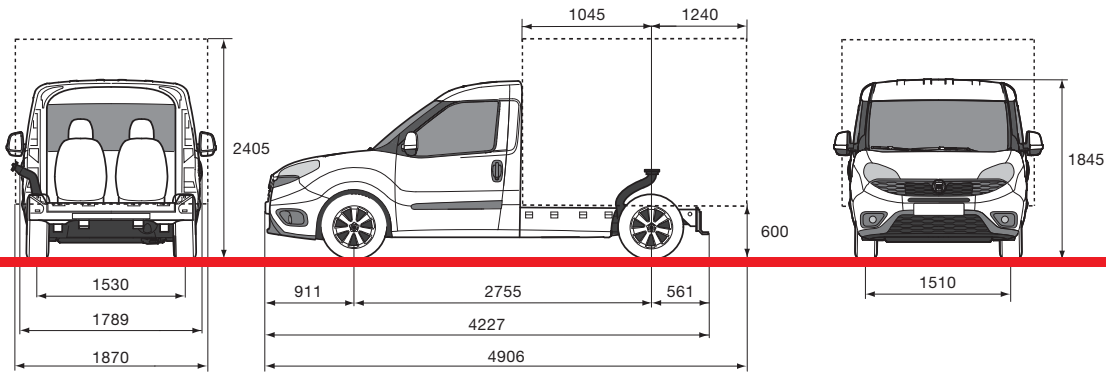
Weights

| Engine versions | 75 - 90 MultiJet II | 100 - 105 MultiJet II | 135 MultiJet II Power |
|-------------------------------|------------------------|--------------------------|--------------------------|
| Vehicle weight ▲ (tare) (kg) | 1430 | 1510 | 1510 |
| Payload including driver (kg) | 1000 | 1000 | 1000 |
| GVW (kg) | 2430 | 2510 | 2510 |
| Max. towable weight (kg) | 1000 | 1300 | 1500 |

Fuel consumption - Emissions

| Engine versions | 75 - 90 MultiJet II | | | 100 - 105 MultiJet II | | | 135 MultiJet II |
|------------------------------------|------------------------|-------------|-------------------------------------|--------------------------|-------------|-------------------------------|--------------------|
| | E5+ DPF | E5+ DPF S&S | E5+ 90 HP ECOJet DPF S&S Ecopack | E5+ DPF | E5+ DPF S&S | E5+ ECOJet DPF S&S Ecopack | E5+ DPF |
| Fuel | diesel | diesel | diesel | diesel | diesel | diesel | diesel |
| Urban consumption (l/100 km) | 6.8 | 6.2 | 5.3 | 7.1 | 6.4 | 5.7 | 7.4 |
| Extra-urban consumption (l/100 km) | 4.4 | 4.4 | 4 | 5.4 | 5.3 | 4.9 | 5.5 |
| Combined consumption (l/100 km) | 5.3 | 5.1 | 4.5 | 6.0 | 5.7 | 5.2 | 6.2 |
| CO ₂ emissions (g/km) | 140 | 133 | 118 | 158 | 150 | 137 | 163 |

▲ Referred to basic versions without optional equipment



DOBLÒ CARGO

Chassis cab
with platform
short wheelbase

External dimensions (mm)

| | |
|--|------|
| Wheelbase | 2755 |
| Length | 4227 |
| Width | 1789 |
| Front track | 1510 |
| Rear track | 1530 |
| Maximum height (unladen) | 1845 |
| Front projection | 911 |
| Rear projection | 561 |
| Chassis height (STDA) | 600 |
| Rear axle span flush with the body (finished trim level projection limit) • | 1240 |
| Rear axle span behind cab | 1045 |

Platform (mm)

| | |
|---------------------------------------|------|
| Platform length | 1606 |
| Max. theoretical practicable length • | 2285 |
| Max. theoretical practicable width • | 1870 |
| Max. theoretical practicable height • | 2405 |

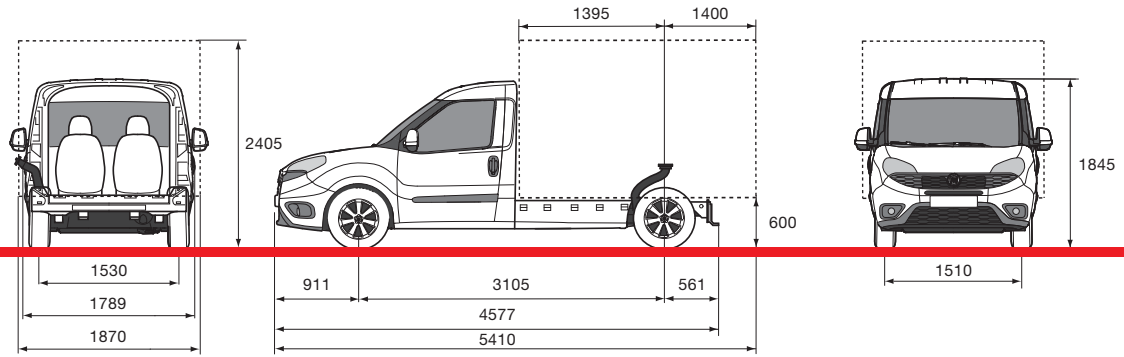
Weights

| Engine versions | 95 MPI | 75 - 90 MultiJet II | 90 MultiJet II Comfort-Matic | 100 - 105 MultiJet II | 135 MultiJet II |
|--|-----------|------------------------|---------------------------------|--------------------------|--------------------|
| Vehicle weight ▲ (tare) (kg) | 1230 | 1270 | 1310 | 1310 | 1350 |
| GVW (kg) | 2210 | 2414 | 2454 | 2454 | 2494 |
| Max. permitted weight on the front axle (kg) | 1120 | 1120 | 1200 | 1200 | 1200 |
| Max. permitted weight on the rear axle (kg) | 1450 | 1450 | 1450 | 1450 | 1450 |
| Max. towable weight (kg) | 1000 | 1000 | 1300 | 1300 | 1500 |

• Depending on type of trim level and weight distribution on axles
▲ Referred to basic versions without optional equipment

DOBLÒ CARGO

Chassis cab with platform long wheelbase



External dimensions (mm)

| | |
|--|------|
| Wheelbase | 3105 |
| Length | 4577 |
| Width | 1789 |
| Front track | 1510 |
| Rear track | 1530 |
| Maximum height (unladen) | 1845 |
| Front projection | 911 |
| Rear projection | 561 |
| Chassis height (STDA) | 600 |
| Rear axle span • flush with the body (finished trim level projection limit) | 1400 |
| Rear axle span behind cab | 1395 |

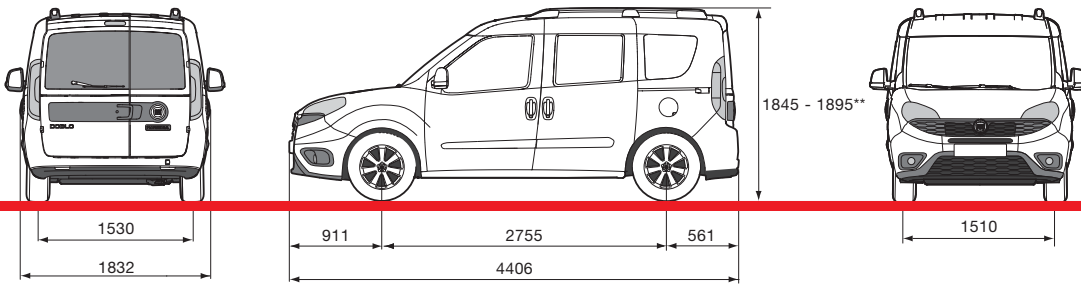
Platform (mm)

| | |
|---------------------------------------|------|
| Platform length | 1956 |
| Max. theoretical practicable length • | 2795 |
| Max. theoretical practicable width • | 1870 |
| Max. theoretical practicable height • | 2405 |

Weights

| Engine versions | 95 MPI | 75 - 90 MultiJet II | 90 MultiJet II Comfort-Matic | 100 - 105 MultiJet II | 135 MultiJet II |
|--|-----------|------------------------|---------------------------------|--------------------------|--------------------|
| Vehicle weight (tare) ▲ (kg) | 1245 | 1285 | 1325 | 1325 | 1365 |
| GVW (kg) | 2210 | 2440 | 2480 | 2480 | 2505 |
| Max. permitted weight on the front axle (kg) | 1120 | 1120 | 1200 | 1200 | 1200 |
| Max. permitted weight on the rear axle (kg) | 1450 | 1450 | 1450 | 1450 | 1450 |
| Max. towable weight (kg) | 1000 | 1000 | 1300 | 1300 | 1500 |

• Depending on type of trim level and weight distribution on axles
▲ Referred to basic versions without optional equipment



DOBLÒ CARGO

Combi short wheelbase

External dimensions (mm)

| | |
|--------------------------|-------------|
| Wheelbase | 2755 |
| Length | 4406 |
| Width | 1832 |
| Front track | 1510 |
| Rear track | 1530 |
| Maximum height (unladen) | 1845-1895** |
| Front projection | 911 |
| Rear projection | 740 |

Luggage compartment (mm)

| | |
|------------------|------|
| Length | 950 |
| Minimum width | 1120 |
| Maximum width | 1195 |
| Rear shelf level | 600 |
| Maximum height | 1250 |

Luggage compartment capacity (litres)

| | |
|--------|-----------|
| Volume | 790/3200* |
|--------|-----------|

Weights

| Engine versions | 95 MPI | 120 T-Jet | 75 - 90 MultiJet II | 90 MultiJet II Comfort-Matic | 100 - 105 MultiJet II | 135 MultiJet II | 120 T-Jet Natural Power ▼ |
|-------------------------------|--------------------|-----------|---------------------|------------------------------|-----------------------|--------------------|---------------------------|
| Vehicle weight ▲ (tare) (kg) | 1374 - 1384 ■ | 1370 | 1434 | 1454 | 1454 | 1460 - 1554 ■ | 1560 |
| Payload including driver (kg) | 5p + 335 (+ 425 ■) | 5p + 425 | 5p + 335 (+ 425 ■) | 5p + 335 (+ 425 ■) | 5p + 335 (+ 425 ■) | 5p + 335 (+ 425 ■) | 5p + 215 |
| GVW (kg) | 2084 - 2184 ■ | 2170 | 2144 - 2234 ■ | 2164 - 2254 ■ | 2164 - 2254 ■ | 2170 - 2354 | 2150 |
| Max. towable weight (kg) | 1000 | 1000 | 1000 | 1300 | 1300 | 1500 | 1000 |

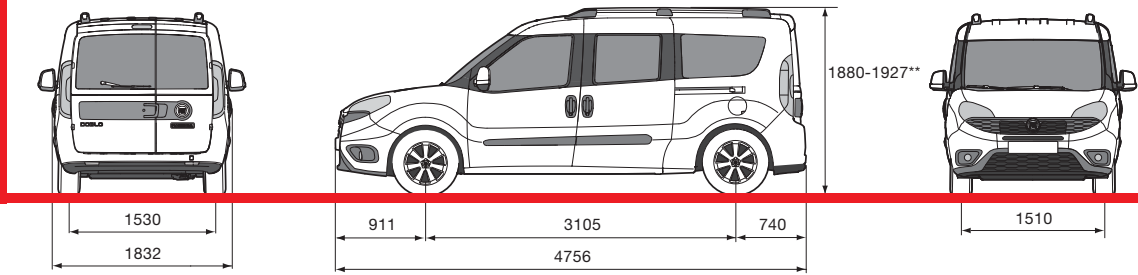
Fuel consumption - Emissions

| Engine versions | 95 MPI | | 120 T-Jet | | 75 - 90 MultiJet II | | | 90 MultiJet II Comfort-Matic | | 100 - 105 MultiJet II | | | 135 MultiJet II | 120 T-Jet Natural Power | |
|------------------------------------|-----------|---------------|-----------|----------------|---------------------|---|--------------------|------------------------------|----------------|-----------------------|-----------------------------------|----------------|-----------------|-------------------------|--|
| | E6 petrol | E6 S&S petrol | E6 petrol | E5+ DPF diesel | E5+ DPF S&S diesel | E5+ 90 HP ECOJet DPF S&S ECOpack diesel | E5+ DPF S&S diesel | E5+ DPF diesel | E5+ DPF diesel | E5+ DPF S&S diesel | E5+ ECOJet DPF S&S ECOpack diesel | E5+ DPF diesel | E6 petrol | methane | |
| Urban consumption (l/100 km) | 10.0 | 9.3 | 9.5 | 6.6 | 6.0 | 5.3 | 5.6 | 6.8 | 6.1 | 5.4 | 7.3 | 9.7 | 6.5 ▼ | | |
| Extra-urban consumption (l/100 km) | 5.9 | 5.9 | 5.9 | 4.3 | 4.3 | 4.0 | 4.7 | 4.7 | 4.7 | 4.4 | 5.1 | 6.1 | 4.0 ▼ | | |
| Combined consumption (l/100 km) | 7.4 | 7.2 | 7.2 | 5.1 | 4.9 | 4.5 | 5.0 | 5.5 | 5.2 | 4.8 | 5.9 | 7.4 | 4.9 ▼ | | |
| CO ₂ emissions (g/km) | 172 | 166 | 169 | 136 | 129 | 118 | 133 | 145 | 138 | 126 | 156 | 173 | 134 ▼ | | |

* With back seats folded down without partition tube.
 ▲ Referred to basic versions without optional equipment
 ■ Reinforced suspension with option 057
 ** Longitudinal bars with opt 357
 Available in version with type approval M1
 ▼ (kg/100 km)
 w = 75 kg

DOBLÒ CARGO

Combi maxi



External dimensions (mm)

| | |
|--------------------------|-------------|
| Wheelbase | 3105 |
| Length | 4756 |
| Width | 1832 |
| Front track | 1510 |
| Rear track | 1530 |
| Maximum height (unladen) | 1880-1927** |
| Front projection | 911 |
| Rear projection | 740 |

Luggage compartment (mm)

| | |
|------------------|------|
| Length | 1300 |
| Minimum width | 1191 |
| Maximum width | 1261 |
| Rear shelf level | 600 |
| Maximum height | 1250 |

Luggage compartment capacity (m³)

| | |
|--------|------------|
| Volume | 1050/4000* |
|--------|------------|

Weights

| Engine versions | 95 MPI | 120 T-Jet | 75 - 90 MultiJet II | 90 MultiJet II Comfort-Matic | 100 - 105 MultiJet II | 135 MultiJet II |
|-------------------------------|----------|-----------|---------------------|------------------------------|-----------------------|-----------------|
| Vehicle weight ▲ (tare) (kg) | 1415 | 1465 | 1454 | 1549 | 1549 | 1564 |
| Payload including driver (kg) | 5p + 425 | 5p + 425 | 5p + 425 | 5p + 425 | 5p + 425 | 5p + 425 |
| GVW (kg) | 2215 | 2265 | 2254 | 2349 | 2349 | 2364 |
| Max. towable weight (kg) | 1000 | 1000 | 1000 | 1300 | 1300 | 1500 |

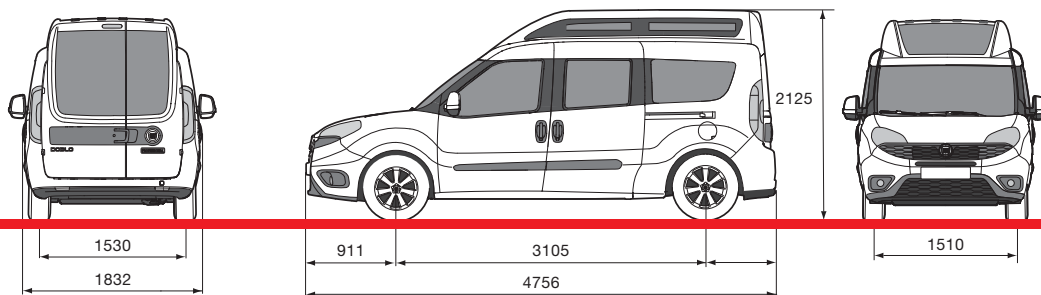
Fuel consumption - Emissions

| Engine versions | 95 MPI | | 120 T-Jet | | 75 - 90 MultiJet II | | | 90 MultiJet II Comfort-Matic | | 100 - 105 MultiJet II | | 135 MultiJet II |
|------------------------------------|--------|--------|-----------|---------|---------------------|----------------------------------|-------------|------------------------------|-------------|----------------------------------|---------|-----------------|
| | E6 | E6 S&S | E6 | E5+ DPF | E5+ DPF S&S | E5+ 90 HP ECOJet DPF S&S ECOpack | E5+ DPF S&S | E5+ DPF | E5+ DPF S&S | E5+ 90 HP ECOJet DPF S&S ECOpack | E5+ DPF | |
| Fuel | petrol | petrol | petrol | diesel | diesel | diesel | diesel | diesel | diesel | diesel | diesel | diesel |
| Urban consumption (l/100 km) | 10 | 9,3 | 9,7 | 6,6 | 6,0 | 5,3 | 5,7 | 6,9 | 6,3 | 5,5 | 7,3 | |
| Extra-urban consumption (l/100 km) | 5,9 | 5,9 | 6,1 | 4,3 | 4,3 | 4,0 | 4,8 | 4,9 | 4,8 | 4,6 | 5,1 | |
| Combined consumption (l/100 km) | 7,4 | 7,2 | 7,4 | 5,1 | 4,9 | 4,5 | 5,1 | 5,6 | 5,4 | 4,9 | 5,9 | |
| CO ₂ emissions (g/km) | 172 | 166 | 173 | 136 | 129 | 118 | 135 | 148 | 141 | 129 | 156 | |

* With back seats folded down without partition tube.

** Longitudinal bars with opt 357

▲ Referred to basic versions without optional equipment
w = 75 kg



DOBLÒ CARGO

Combi XL

External dimensions (mm)

| | XL |
|--------------------------|------|
| Wheelbase | 3105 |
| Length | 4756 |
| Width | 1832 |
| Front track | 1510 |
| Rear track | 1530 |
| Maximum height (unladen) | 2125 |
| Front projection | 911 |
| Rear projection | 740 |

Luggage compartment (mm)

| | |
|------------------|------|
| Length | 1300 |
| Minimum width | 1191 |
| Maximum width | 1261 |
| Rear shelf level | 600 |
| Maximum height | 1495 |

Luggage compartment capacity (m³)

| | |
|--------|------------|
| Volume | 1050/4800* |
|--------|------------|

Weights

| | |
|-------------------------------|--------------------|
| Engine versions | 135 MultiJet II |
| Vehicle weight ▲ (tare) (kg) | 1624 |
| Payload including driver (kg) | 5p + 425 |
| GVW (kg) | 2424 |
| Max. towable weight (kg) | 1500 |

Fuel consumption - Emissions

| | |
|------------------------------------|-----------------------|
| Engine versions | 135 MultiJet Power |
| | E5+ DPF |
| Fuel | diesel |
| Urban consumption (l/100 km) | 7.8 |
| Extra-urban consumption (l/100 km) | 5.5 |
| Combined consumption (l/100 km) | 6.3 |
| CO ₂ emissions (g/km) | 167 |

* With back seats folded down without partition tube.

▲ Referred to basic versions without optional equipment
w = 75 kg

Standard equipment and options

| | | VAN | SX VAN | CHASSIS CAB WITH PLATFORM | COMBI | COMBI SX | WORK UP |
|---|---------------|---------------------|---------------------|---------------------------|----------------------------|----------------------------|---------|
| EXTERIOR | | | | | | | |
| Side protection strips | 927 | ● | ● | ● | ● | ● | ● |
| Two asymmetric panelled rear swing doors | | ● | ● | — | — | — | — |
| Two asymmetric glazed rear swing doors with heated rear window and wipers | 519 | ○ | ○ | — | ●/○ (Maxi) | ●/○ (Maxi) | — |
| Integral hub caps | 878 | ● | ● | ● | ● | ● | ● |
| 15" alloy rims | 108 | ○/— (Maxi) | ○/— (Maxi) | — | ○/— (Maxi) | ○/— (Maxi) | — |
| 16" alloy rims | 431 | ○ | ○ | — | ○ | ○ | — |
| Fog lights | 097 | ○ | ○ | ○ | ○ | ● | ○ |
| Rear lights for platform | 4EA | — | — | ○ | — | — | ● |
| Front/rear splash guards | 990 | ○ | ○ | — | ○ | ○ | — |
| Rear splash guards | 197 | ○ | ○ | — | ○ | ○ | — |
| Front/rear body coloured bumpers | 876 | ○ | ○ | ○ | ○ | ● | ○ |
| Window kit (fixed semi-glazed side section for van) | 550 | ○ | ○ | — | — | — | — |
| Tinted rear windows | 070 | — | — | — | ○ | ○ | — |
| Right sliding side door | 523 | ○/● (Maxi) | ● | — | ● | ● | — |
| Left sliding side door | 055 | ○ | ○ | — | ● | ○ | — |
| Third panelled window | 526 | ● | ● | — | ○ | ○ | — |
| Rear door with two blind wings for Combi versions | 516 | — | — | — | ○ | ○ | — |
| Glazed swing tailgate, heated rear window and rear window wiper (no XL) | 148 | ○ | ○ | — | ○/● (Maxi) | ○/● (Maxi) | — |
| Electric door mirrors | 041 | ○ | ○ | ○ | ○ | ● | ○ |
| Manual exterior rear view mirrors | 043 | ● | ● | ● | ● | — | ● |
| Electrically controlled electric folding door mirrors | 341 | ○ | ○ | ○ | ○ | ○ | ○ |
| Painted door mirrors | 976 | ○ | ● | ○ | ○ | ● | ○ |
| Metallic paintwork | 210 | ○ | ○ | ○ | ○ | ○ | ○ |
| Third brake light | | ● | ● | — | ● | ● | — |
| Rear window on roof of load compartment | 585 | ○/— (Maxi) | ○/— (Maxi) | — | — | — | — |
| High roof (no 1.3 MJet) | 360 | ○/— (Maxi) / ● (XL) | ○/— (Maxi) / ● (XL) | — | ○ (M1) / — (Maxi) / ● (XL) | ○ (M1) / — (Maxi) / ● (XL) | — |
| 16" alloy rims (only for versions without TPMS) | 50902745 | △ | △ | — | — | — | — |
| INTERIOR | | | | | | | |
| Protective ladder for driver | 194 | ○ | ○ | — | — | — | — |
| Split swivel partition | 201 | ○ | ○ | — | — | — | — |
| Fixed tube partition for combined versions (N1 type-approval) | 56K | — | — | — | ○ | ○ | — |
| Fixed metal partition | 149 | ● | ● | — | — | — | — |
| Fixed metal partition with central glass window | 199 | ○ | ○ | ○ | — | — | ● |
| Complete partition for third seat (panel + grille) | 7ET | ○ | —/● (SX 3-seater) | — | — | — | — |
| Driver side ladder for 3rd seat | 7EU | ○ | —/● (SX 3-seater) | — | — | — | — |
| Sound-insulated partition | 552 | ○ | ● | ○ | — | — | ● |
| Lockable glove compartment on dashboard | 658 | ○ | ● | ○ | ○ | ● | ○ |
| Leather steering wheel and gear lever knob | 320 | ○ | ○ | ○ | ○ | ○ | ○ |
| Driver's seat with armrest, lumbar and height adjustment | 627 | ○ | — | ○ | ○ | — | ○ |
| Two-seater multifunctional bench | 293 | ○ | —/● (SX 3-seater) | — | — | — | — |
| Adjustable passenger seat with storage compartment in cushion | 295 | ○ | ● | ○ | — | — | ○ |
| Passenger seat with adjustable backrest | 297 | ○ | ○ | ○ | ● | ● | ● |
| Passenger seat, foldable to floor | 4GQ | ○ | ○ | ○ | — | — | ○ |
| Passenger seat that folds down into a table | 785 | — | — | — | ○ | ○ | — |
| Heated driver's seat | 453 | ○ | ○ | ○ | ○ | ○ | ○ |
| Heated passenger seat | 452 | ○ | ○ | ○ | ○ | ○ | ○ |
| 2nd row seats split, three-point seat belts and head restraint | 195 | — | — | — | ● | ● | — |
| Imitation leather upholstery | 728 | ○ | — | ○ | — | — | ○ |
| PVC load compartment mat | 798 | ○ | ● | — | — | — | — |
| Luggage compartment mat | | — | — | — | ● | ● | — |
| Luggage compartment curtain | 104 | — | — | — | ● | ○/● (Maxi) | — |
| Adjustable rigid parcel shelf for luggage compartment | 209 | — | — | — | ○/— (Maxi) | ●/— (Maxi) | — |
| Seat covers | 71805886/87 | △ | △ | △ | △ | △ | △ |
| Side deflectors | 71805777 | △ | △ | △ | △ | △ | — |
| Rubber mats | 50902913 | △ | △ | — | — | — | — |
| Pressed felt mats with Doblò logo | 50902915 | △ | △ | △ | △ | △ | △ |
| Carpet mats with Doblò logo | 71805925 | △ | △ | — | — | — | — |
| PC/PL internal platform protection | 50902466/65 | △ | △ | — | — | — | — |
| PC/PL internal wall protection | 50902466/2739 | △ | △ | — | — | — | — |
| Protective internal glass grilles for rear swing doors | 50902929 | △ | △ | — | — | — | — |
| FUNCTIONAL / ELECTRIC | | | | | | | |
| Remote control for door opening and locking | 008 | ○ | ● | ○ | ○ | ● | ○ |
| Additional remote control key | 4YV | ○ | ○ | ○ | — | — | ○ |
| Power steering | 014 | ● | ● | ● | ● | ● | ● |
| Height and reach-adjustable steering wheel | 011 | ● | ● | ● | ● | ● | ● |

NEW DOBLÒ CARGO

Cargo



Cargo



Cargo with sliding door



Cargo with 2 sliding doors



Cargo semi-glazed



Cargo semi-glazed with sliding door



Cargo semi-glazed with 2 sliding doors



Cargo glazed with 2 sliding doors

Cargo Maxi



Cargo Maxi with sliding door



Cargo Maxi with 2 sliding doors



Cargo Maxi semi-glazed with sliding door



Cargo Maxi semi-glazed with 2 sliding doors



Cargo Maxi glazed with 2 sliding doors

Cargo High Roof



Cargo High-roof



Cargo High-roof with sliding door



Cargo High-roof with 2 sliding doors



Cargo High-roof semi-glazed



Cargo High-roof semi-glazed with sliding door



Cargo High-roof semi-glazed with 2 sliding doors



Cargo High-roof glazed with 2 sliding doors

Cargo XL



Cargo XL with sliding door



Cargo XL with 2 sliding doors



Cargo XL semi-glazed with sliding door



Cargo XL semi-glazed with 2 sliding doors



Cargo XL glazed with 2 sliding doors

Flatbed



Flatbed



Flatbed Maxi

Work Up



Work Up

Combi



Combi with 2 sliding doors



Combi semi-glazed with 2 sliding doors



Combi Maxi with 2 sliding doors



Combi Maxi semi-glazed with 2 sliding doors



Combi XL with 2 sliding doors



Combi Maxi semi-glazed with 2 sliding doors



Twin blind rear door



Twin glazed rear door



Glazed tailgate



Twin blind rear door



Twin glazed rear door